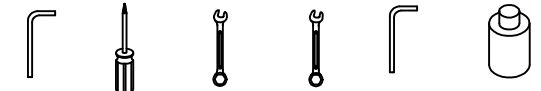
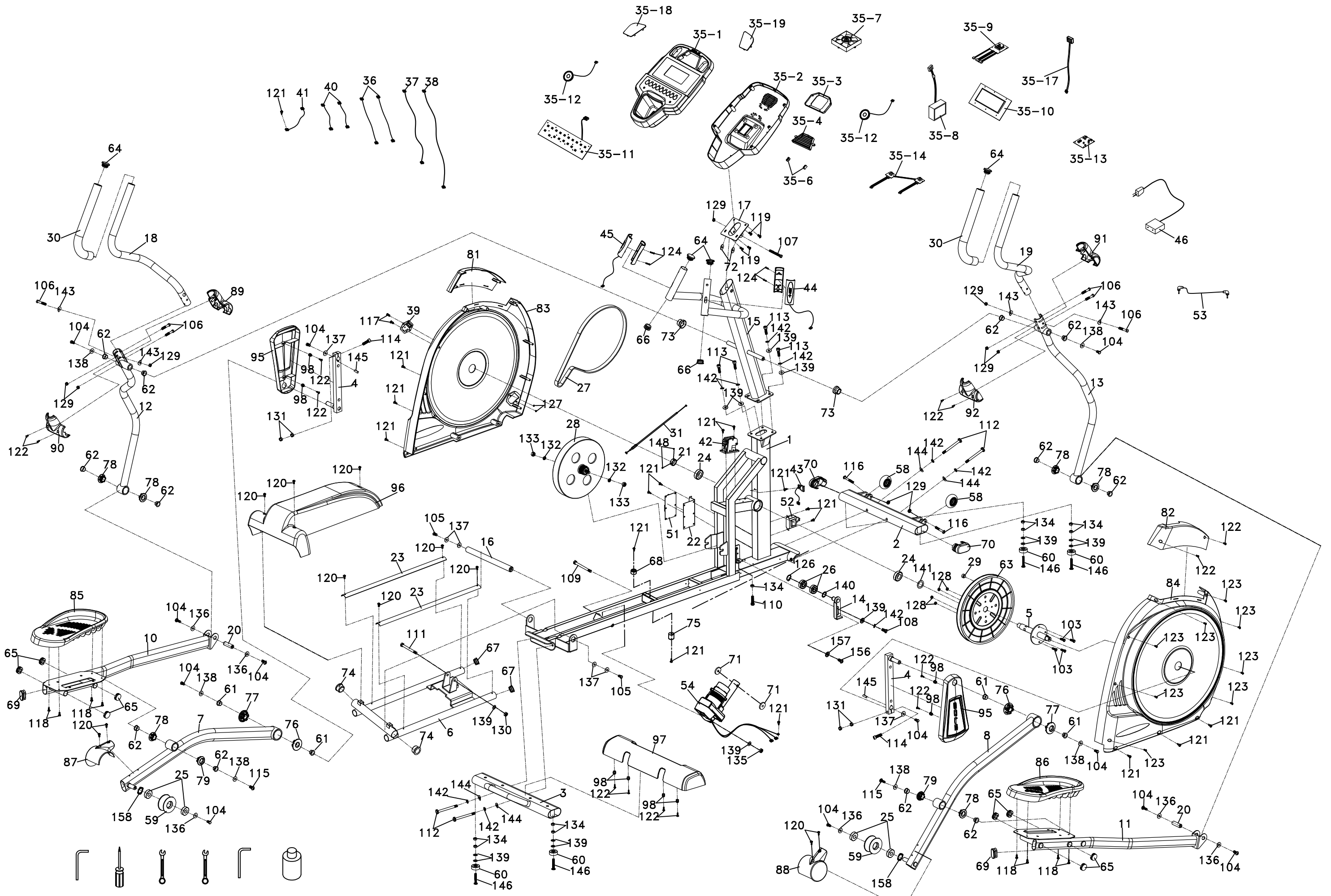


# SE568SD



149 150 151 152 153

2012122

# SOLE - E20-520013 - PARTS LIST

Dyaco#	Material #	Detailed Descriptions	QTY
1	BB010060-Q2	Main Frame	1
2	BB070092-Q2	Front Stabilizer Bar	1
3	BB070093-Q2	Inclinable Rail Assembly	1
4	BB040019-Q2	Crank Arm Assembly	2
5	C140026	Crank Axle	1
6	BB030041-Q2	Rear Rail Assembly	1
7	BB050146-Q2	Pedal Arm (L)	1
7	RBB050146-Q2	Pedal Arm (L) Assembly	1
8	BB050147-Q2	Pedal Arm (R)	1
8	RBB050147-Q2	Pedal Arm (R) Assembly	1
10	BB050148-Q2	Connecting Arm (L)	1
10	RBB050148-Q2	Connecting Arm (L) Assembly	1
11	BB050149-Q2	Connecting Arm (R)	1
11	RBB050149-Q2	Connecting Arm (R) Assembly	1
12	BB060107-Q2	Lower Handle Bar (L)	1
12	RBB060107-Q2	Lower Handle Bar (L) Assembly	1
13	BB060108-Q2	Lower Handle Bar (R)	1
13	RBB060108-Q2	Lower Handle Bar (R) Assembly	1
14	C145002-Q2	Idler Wheel Assembly	1
15	BB020075-Q2	Console Mast	1
15	RBB020075-Q2	Console Mast Assembly	1
16	BB070095	Locking Tube Assembly	1
17	BB080004-Q2	Console Holder Assembly	1
18	TT040466-Q2	Swing Arm (L)	1
18	RTT040466-Q2	Swing Arm (L) Assembly	1
19	TT040468-Q2	Swing Arm (R)	1
19	RTT040468-Q2	Swing Arm ® Assembly	1
20	C050048-Z4	Rod End Shaft(Ø17×Ø52×5/16"牙)	2
21	C110001-Z3	Axle Stopper(Ø32×10mm)	1
22	B060055-Q2	Controller Fixing Plate	1
23	M030011-Z0	Aluminum Rail(2.0T×565mm)	2
24	K056005	6005_Bearing	2
25	K056003	6003_Bearing	4
26	K056203	6203_Bearing	2
27	N010002	Drive Belt(8J500)	1
28	K500042	Flywheel(Ø270xØ40x10)	1
29	N040002	Magnet(Ø15×7T)	1
30	L120001-A1	Handgrip Foam(Ø31.8×3T×420)	2
31	K020050	Steel Cable(360mm/126mm,1.5mm)	1
35	RZ5TE003A-10	Console Assembly	1
35~1	P020364-MA	Console Top Cover	1
35~2	P020365-A1	Console Bottom Cover	1
35~3	P250002-A1	Fan Grill Anchor	1
35~4	P250001-A1	Deflector Fan Grill	1
35~6	P060060-A1	Fan Grill Anchor	2
35~7	F040100	400m/m_Fan Assembly(RDH8025S,White)	1
35~8	D080900	300m/m_Receiver, HR(TZ-RF)	1
35~9	D080500	Interface Board(TZ-4630-E2-E20 Trans-Board(14PP2.5 200mm))	1
35~10	D080300	Console Display Board(TE003(TZ-4630))	1

35~11	D080400	Key Board(TZ-4630(E20KEY)(9PP2.5 100mm))	1
35~12	F050250	200m/m_Speaker W/Cable	2
35~13	F110400	Amplifier Controller(TZ-M05)	1
35~14	D080600	Sound Board W/Cable(TZ-4628 MP3(Connecting Cable250mm)TZ-4628 EAR PHONE(4PP2.5 300mm))	1
35~17	E060511	300m/m_Amplifier Cable(Red)	1
35~18	B130088-Z3	Speaker Iron Net (L)	1
35~19	B130089-Z3	Speaker Iron Net (R)	1
36	E010064	400m/m_Connecting Wire, Controller	2
37	E020703	650m/m_Computer Cable	1
38	E020454	1350m/m_Computer Cable	1
39	F030053	AC Electronic Module	1
40	E010081	80m/m_Connecting Wire (White)	2
41	E040007	200m/m_Ground Wire	1
42	D080200	Gear Motor(TL-001)	1
43	F030193	500m/m_Sensor W/Cable	1
44	F090235	850m/m_Handpulse W/Cable Assembly (White)	1
45	F090236	850m/m_Handpulse W/Cable Assembly (Red)	1
46	E060001	Power Cord	1
51	D080700	Incline Controller(TZ-7102(INCLINEController) 120V)	1
52	D080800	Incline Adaptor(INPUT 115V OUTPUT 14V/1.5A)	1
53	E090001	400m/m_Audio Cable	1
54	G110085	Incline Motor(JS15-A,30128L, 115V, 1/15HP, 1450mm, 65mm)	1
58	P050021	Transportation Wheel(PUØ65)	2
59	P050055-PU	Slide Wheel , Urethane(Ø78PU)	2
59	RP050055A-PU	Slide Wheel +Bearing assembly	1
60	P060256-A1	Ø35 × 10m/m_Rubber Foot	4
61	P060440	WFM-1719-12_Bushing	4
62	P060451	J4FM-1719-09_Bushing	12
63	P060090-A1	Ø330_Drive Pulley	1
64	P060253-A1	Ø32 × 1.8T_Button Head Plug	4
65	P040136-A1	Ø25.4 × 2.0T_Round Cap	8
66	P040052-A1	Ø32 × 1.8T_Round Cap	2
67	P040050-A1	32 × 2.5T_Round Cap	2
68	P060252	25 × 25 × 15T_Rubber Foot Pad	1
69	P040135-A1	Ø25 × 50 × 2.0T_Oval End Cap	2
70	P060112-A1	Ø40 × Ø80_Oval End Cap	2
71	P060277	3/8" × 35 × 5T_Nylon Washer	2
72	P060278	5/16" × 25 × 3T_Nylon Washer	2
73	P060056-A1	Ø30 × 19m/m_Mast Bushing	2
74	P060029-A1	Ø38 × Ø34 × Ø26 × 4 + 16T_Bushing	2
75	P060279	Ø25 × 25_Rubber Foot Pad	1
76	P270042	Ø56 × Ø19 × 15L_Bushing (Flat)	2
77	P270043	Ø56 × Ø19 × 15L_Bushing (Curved)	2
78	P270044	Ø42 × Ø19 × 15L_Bushing (Flat)	6
79	P270045	Ø42 × Ø19 × 15L_Bushing (Curved)	2
81	P100139-A1	Console Mast Cover (L)	1
82	P100140-A1	Console Mast Cover (R)	1
83	P100137A-JH	Side Case(L)	1
83	RP100137A-JH	Side Case(L)+Sticker	1
84	P100138-JH	Side Case(R)	1
84	RP100138-JH	Side Case(R)+Sticker	1

85	P130015B-A1	Pedal (L)	1
86	P130016B-A1	Pedal (R)	1
87	P200007-A1	Slide Wheel Cover (L)	1
88	P200008-A1	Slide Wheel Cover (R)	1
89	P180104-A1	Front Handle Bar Cover (L)	1
90	P180105-A1	Rear Handle Bar Cover (L)	1
91	P180106-A1	Front Handle Bar Cover (R)	1
92	P180107-A1	Rear Handle Bar Cover (R)	1
95	P180109A-MA	Crank Arm End Cap	2
96	P190040-A1	Incline Cover	1
97	P190041-A1	Rear Bar Cover	1
98	P060549	End Cap Stopper	8
103	J010002-ZZ	1/4" × 3/4" Hex Head Bolt	4
104	J010503-YQ	5/16" × 15m/m Hex Head Bolt	12
105	J010504-YN	5/16" × 25m/m Hex Head Bolt	2
106	J010507A-Y3	5/16" × 1-3/4" Hex Head Bolt	6
107	J010510A-Z1	5/16" × 2-1/2" Hex Head Bolt	1
108	J011004-Y1	3/8" × 1" Hex Head Bolt	1
109	J013513L-Y1	M10 × 130m/m Hex Head Bolt	1
110	J011006-Y1	3/8" × 1-1/2" Hex Head Bolt	1
111	J011010A-Y1	3/8" × 2-1/2" Hex Head Bolt	1
112	J011015A-Y3	3/8" × 3-3/4" Hex Head Bolt	4
113	J031002-Z4	3/8" × 3/4" Socket Head Cap Bolt	4
114	J033007-Z4	M8 × 35m/m Socket Head Cap Bolt	2
115	J020520-Y3	5/16" × 15m/m Button Head Socket Bolt	2
116	J020507A-Y3	5/16" × 1-3/4" Button Head Socket Bolt	2
117	J094502-Y3	M4 × 12m/m Phillips Head Screw	2
118	J092001-YN	M5 × 10m/m Phillips Head Screw	8
119	J092001-Y3	M5 × 10m/m Phillips Head Screw	4
120	J092003-Y3	M5 × 15m/m Phillips Head Screw	11
121	J367114-Y3	5 × 19m/m Tapping Screw	17
122	J396804-Y3	Ø3.5 × 12m/m Sheet Metal Screw	14
123	J396805-Y3	Ø3.5 × 16m/m Sheet Metal Screw	8
124	J517007-Y3	Ø3 × 20m/m Tapping Screw	4
126	J310002-Z4	Ø17_C Ring	1
127	J139411-Y3	M4 × 5T_Nyloc Nut	2
128	J139461-Z1	1/4" × 8T_Nyloc Nut	4
129	J139062F-Y3	5/16" × 7T_Nyloc Nut	9
130	J139011-Y3	3/8" × 7T_Nyloc Nut	1
131	J129272-ZS	M8 × 6.3T_Nut	4
132	J129031-Z1	3/8" -UNF26 × 4T_Nut	2
133	J160028-Z1	3/8" -UNF26 × 11T_Nut	2
134	J129021-Y3	3/8" × 7T_Nut	9
135	J139361F-Y3	M10 × 8T_Nyloc Nut	1
136	J210009-Y3	5/16" × 23 × 1.5T_Flat Washer	6
137	J210014-Y3	5/16" × 35 × 2.0T_Flat Washer	6
138	J210042-Y3	Ø8.5 × 26 × 2.0T_Flat Washer	6
139	J210003-Y3	3/8" × 19 × 1.5T_Flat Washer	15
140	J210011-Z1	Ø17 × 23.5 × 1T_Flat Washer	1
141	J210067-Z1	Ø38 × Ø26 × 1.5T_Flat Washer	1
142	J260003-Y3	3/8" × 2T_Split Washer	9
143	J220001-Y3	5/16" × 23 × 1.5T_Curved Washer	4

144	J220002-Y3	3/8" × 23 × 2T_Curved Washer	4
145	J320009-Z1	7 × 7 × 25 m/m_Woodruff Key	2
146	J341007-Y3	3/8" × 1-3/4" _Flat Head Socket Bolt	4
148	J080005-YR	M5 × 5m/m_Slotted Set Screw	2
149	J330009	Combination M5 Allen Wrench & Phillips Head Screw Driver	1
150	J330008	Phillips Head Screw Driver	1
151	J330025-Z1	13/14m/m_Wrench (160m/m)	1
152	J330026-Z1	12/14m/m_Wrench (160m/m)	1
153	J330023	Combination M8 Allen Wrench & Phillips Head Screw Driver	1
156	J020501-Y3	5/16" × 1/2" _Button Head Socket Bolt	1
157	J210018-Y3	5/16" × Ø18 × 1.5T _Flat Washer	1
158	J250002-Z4	Ø17 _Wave Washer	2
X	N030001-A5	Drink Bottle	1
X	J99B0080-01	Guest Assembly Screws	1
X	I050338	Side Bobble Label (SOLE E20)	2
X	I050338A	Console Bobble Label E35	1
X	I030187	Faceplate	1
X	I090057	SOLE Aluminum Label	1