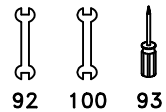
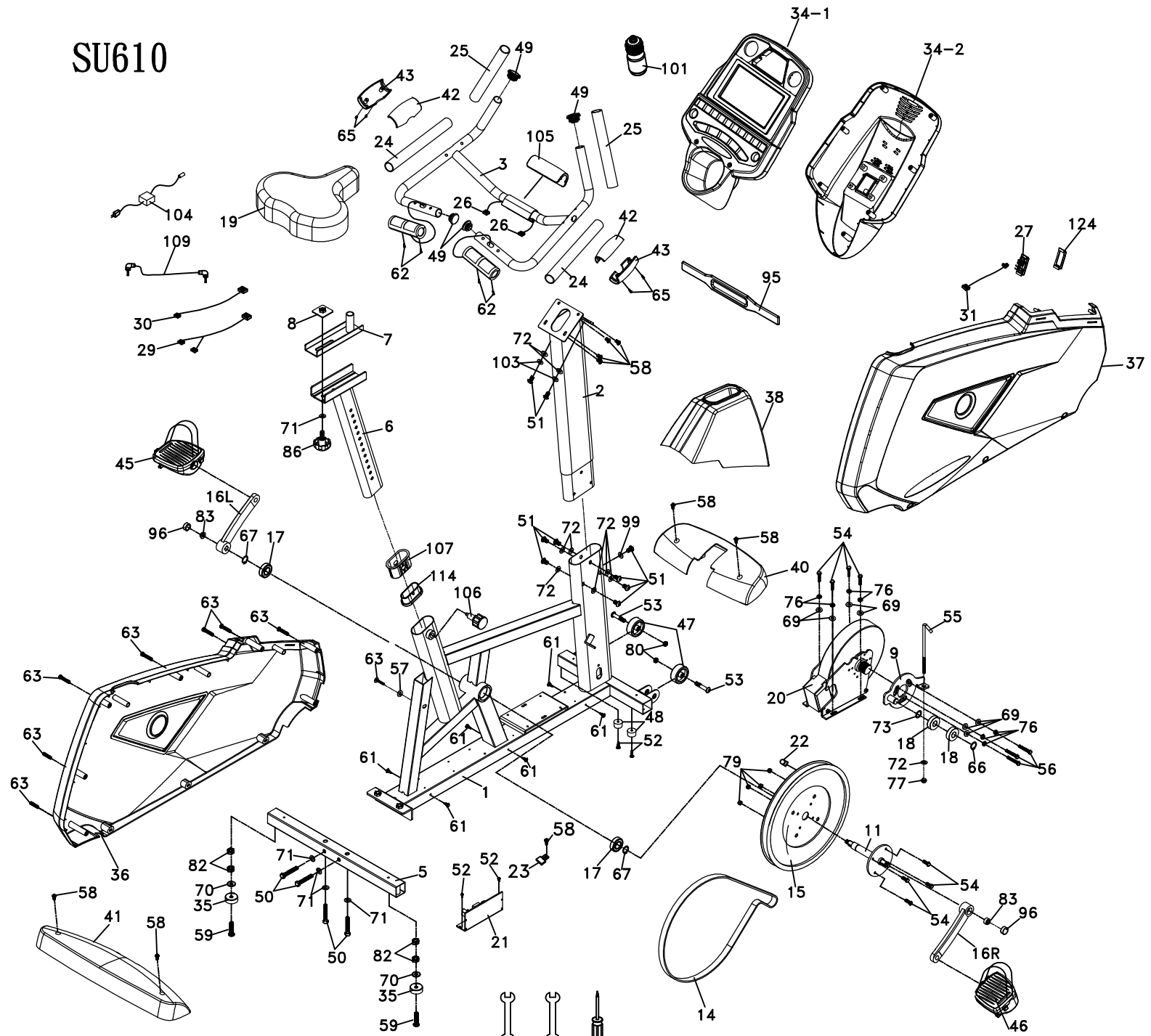


# SU610



110117PM0300

## SOLE - B94 (594110) Parts List

Dyaco #	Description	Spirit #	Qty
2	Console Mast	002733	1
3	Handle Bar	002734	1
5	Rear Stabilizer	002732	1
6	Seat Slider	002408	1
7	Sliding Seat Mount	002092	1
8	Fix Plate	002063	1
9	Idler Wheel Assembly	002401	1
11	Crank Axle	002117	1
14	Drive Belt	000146	1
15	Drive Pulley	000908	1
16L	Crank Arm (L)	002040	1
16R	Crank Arm (R)	002041	1
17	6004_Bearing For Crank Axle	002042	2
18	6203_Bearing For Idler Wheel	021987	2
19	Seat	002065	1
20	Induction Brake	002104	1
21	Controller	002099	1
22	Magnet	010041	1
23	Sensor W/Cable	002036	1
24	1" × 285L × 5T_Handgrip Foam	002696	2
25	1" × 200L × 5T_Handgrip Foam	002066	2
26	800m/m_Handpulse W/Cable Assembly	002120	2
27	AC Input Module	003432	1
29	1700m/m_Computer Cable	002132	1
30	200m/m_Wire Brake Coil Harness	002069	1
31	950m/m_AC/ Generator Power Cable	002792	1
34	Console Assembly	002735	1
34~1	Top Console Cover	002762	1
34~2	Bottom Console Cover	004329	1
34~7	Red Console Lens	002779	1
35	Rubber Foot	022943	2
36	Chain Cover (L)	002736	1
37	Chain Cover (R)	002737	1
38	Console Mast Cover	002738	1
40	Front Stabilizer Cover	002739	1
41	Rear Stabilizer Cover	002740	1
42 & 43	Handgrip Cap(Top and Bottom)	002741	2
45	Pedal (L) 90%	002742	1
46	Pedal (R) 90%	002743	1
47	Transportation Wheel	000179	2
48	Rubber Foot Pad	010124	2
49	1" _Button Head Plug	002016	4
50	3/8" × 2" _Hex Head Bolt	022885	4

51	5/16" × 5/8" _Hex Head Bolt	030018	9
52	5 × 19m/m _Tapping Screw	030057	4
53	5/16" × 1-3/4" _Button Head Socket Bolt	000126	2
54	1/4" × 3/4" _Hex Head Bolt	030097	8
55	M8 × 170m/m _J Bolt	010142	1
56	M6 × 15m/m _Phillips Head Screw	030038	3
57	3/16" × 15mm × 1.5T _Flat Washer	002285	1
58	M5 × 12m/m _Phillips Head Screw	030037	9
59	3/8" × 2 _Flat Head Socket Bolt	022885	2
61	5 × 16m/m _Tapping Screw	010150	6
62	Ø3 × 20m/m _Tapping Screw	000839	4
63	Ø3.5 × 16m/m _Sheet Metal Screw	022979	8
65	Ø3 × 10m/m _Tapping Screw	010115	4
66	Ø17 _C Ring	000196	1
67	Ø20 _C Ring	002050	2
69	1/4" × 13mm × 1T _Flat Washer	000078	7
70	3/8" × 19mm × 1.5T _Flat Washer	000076	2
71	3/8" × 25mm × 2T _Flat Washer	010098	5
72	5/16" × 18mm × 1.5T _Flat Washer	000077	9
73	Ø17 × 23.5mm × 1T _Flat Washer	022975	1
76	Ø1/4" _Split Washer	030042	7
77	M8 × 7T _Nyloc Nut	022288	1
79	1/4" × 8T _Nyloc Nut	030098	4
80	5/16" × 6T _Nyloc Nut	030039	2
82	3/8" × 7T _Nut	000080	4
83	M10 × 1.25 _Nut	002668	2
86	Brake Tension Knob	002200	1
92	13.15m/m _Wrench	030035	1
93	Phillips Head Screw Driver	023091	1
95	Chest Strap	022945	1
96	Crank Arm End Cap	002019	2
99	5/16" × 19 × 1.5T _Curved Washer	000087	1
100	12.14m/m _Wrench	030036	1
101	Drink Bottle	000844	1
103	5/16" × 1.5T _Split Washer	006389	2
104	AC Power Adaptor	002774	1
105	Handle Bar Cover	002114	1
106	Locking Knob	002207	1
107	Center spatial wrap	002180	1
109	400m/m _Audio Cable	004000	1
114	Slide Spacer	002175	1
124	On/Off Switch Bracket	002775	1
	Hardware Kit	002697	1
	Button Overlay	002781	1
	Logo Poly Sticker (on chain cover)	002766	2
	Console Poly Sticker	002786	1

"SOLE" Logo Sticker (on back of console)	000881	1
BUTTON, PLASTIC "MANUAL"	004408	1
BUTTON, PLASTIC "HILL"	004409	1
BUTTON, PLASTIC "FATBURN"	004410	1
BUTTON, PLASTIC "CARDIO"	004411	1
BUTTON, PLASTIC "STRENGTH"	004412	1
BUTTON, PLASTIC "INTERVAL"	004413	1
BUTTON, PLASTIC "USER 1"	004414	1
BUTTON, PLASTIC "USER 2"	004415	1
BUTTON, PLASTIC "HR 1"	004416	1
BUTTON, PLASTIC "HR 2"	004417	1
BUTTON, PLASTIC "DISPLAY"	004424	1
BUTTON, PLASTIC "FAN"	004425	1
BUTTON, PLASTIC "ENTER"	002721	1
BUTTON, PLASTIC "UP"	002722	1
BUTTON, PLASTIC "START"	002723	1
BUTTON, PLASTIC "DOWN"	002724	1
BUTTON, PLASTIC "STOP/RESET"	002725	1