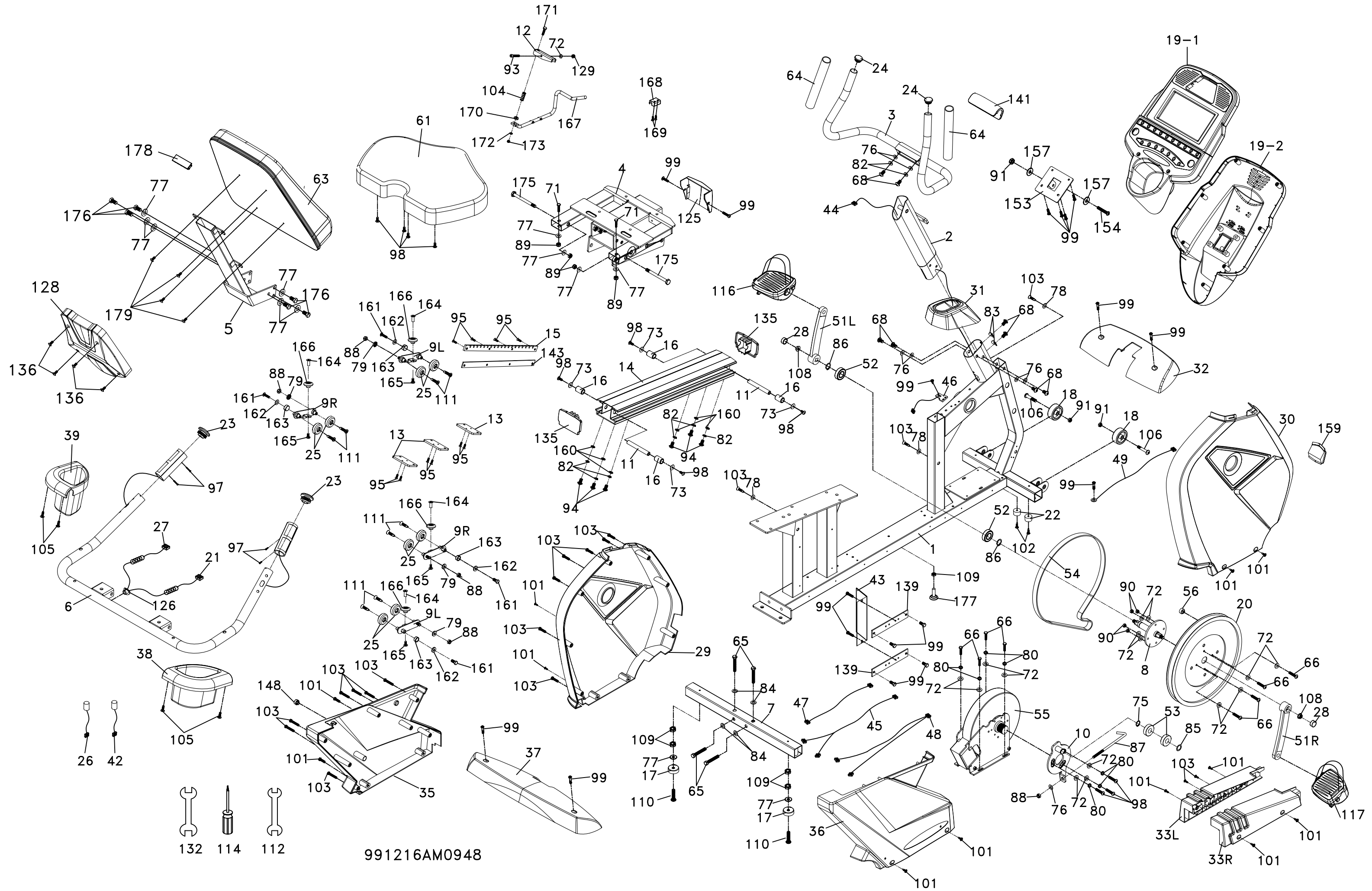


# SR889 爆炸圖



## SOLE - LCR(522110) Parts List

| Dyaco # | Description                       | Spirit # | Qty |
|---------|-----------------------------------|----------|-----|
| 2       | Console Mast                      | 002726   | 1   |
| 3       | Mast Handle bar Assembly          | 002727   | 1   |
| 4       | Seat Carriage                     | 002728   | 1   |
| 5       | Seat Back Bracket                 | 002729   | 1   |
| 6       | Seat Handle Bar                   | 002731   | 1   |
| 7       | Rear Stabilizer                   | 002732   | 1   |
| 8       | Crank Axle                        | 002006   | 1   |
| 9L      | Seat Wheel Adjustment Plate (L)   | 002212   | 2   |
| 9R      | Seat Wheel Adjustment Plate (R)   | 002228   | 2   |
| 10      | Idler Wheel Assembly              | 002159   | 1   |
| 11      | Seat Stop Axle                    | 002009   | 2   |
| 12      | Seat Position Latch               | 002010   | 1   |
| 13      | Backing Plate                     | 002011   | 3   |
| 14      | Aluminum Track                    | 002128   | 1   |
| 15      | Rack                              | 002013   | 1   |
| 16      | Spacer for Stopper Axle           | 002014   | 4   |
| 17      | Rubber Foot                       | 022943   | 2   |
| 18      | Transportation Wheel              | 000179   | 2   |
| 19      | Console Assembly                  | 002720   | 1   |
| 20      | Drive Pulley                      | 000908   | 1   |
| 21      | 950m/m_Handpulse W/Cable Assembly | 002082   | 1   |
| 22      | Rubber Foot Pad                   | 010124   | 2   |
| 23      | Ø32(1.8T)_Button Head Plug        | 002015   | 2   |
| 24      | Ø25.4 (2.0T)_Button Head Plug     | 002016   | 2   |
| 25      | Seat Track Wheel                  | 002086   | 8   |
| 26      | 300m/m_Handpulse Wire, Coiled     | 002018   | 1   |
| 27      | 750m/m_Handpulse W/Cable Assembly | 002081   | 1   |
| 28      | Crank Arm End Cap                 | 002019   | 2   |
| 29      | Front Shroud (L)                  | 002744   | 1   |
| 30      | Front Shroud (R)                  | 002745   | 1   |
| 31      | Console Mast Cover                | 002746   | 1   |
| 32      | Front Stabilizer Cover            | 002739   | 1   |
| 33L     | Step Cover ( L )                  | 002747   | 1   |
| 33R     | Step Cover ( R )                  | 002748   | 1   |
| 35      | Rear Shroud (L)                   | 002749   | 1   |
| 36      | Rear Shroud (R)                   | 002750   | 1   |
| 37      | Rear Stabilizer Cover             | 002740   | 1   |
| 38      | Drink Bottle Holder (R)           | 002751   | 1   |
| 39      | Drink Bottle Holder (L)           | 002752   | 1   |
| 42      | 300m/m_Handpulse Wire, Coiled     | 002018   | 1   |
| 43      | Generator/Brake Controller        | 002099   | 1   |
| 44      | 2100m/m_Computer Cable (8 Pin)    | 002648   | 1   |
| 45      | 2100m/m_Handpulse Wire, Coiled    | 002134   | 1   |

|     |                                    |        |    |
|-----|------------------------------------|--------|----|
| 46  | 300m/m_Sensor W/Cable              | 002036 | 1  |
| 47  | 750m/m_Wire Brake Coil Harness     | 002037 | 1  |
| 48  | 1100m/m_Generator Wire Harness     | 002665 | 1  |
| 51L | Crank Arm (L)                      | 002040 | 1  |
| 51R | Crank Arm (R)                      | 002041 | 1  |
| 52  | 6004_Bearing                       | 002042 | 2  |
| 53  | 6203_Bearing                       | 021987 | 2  |
| 54  | Drive Belt                         | 002094 | 1  |
| 55  | Induction Brake                    | 002104 | 1  |
| 56  | Magnet                             | 010041 | 1  |
| 61  | Seat                               | 002753 | 1  |
| 63  | Seat Back                          | 002754 | 1  |
| 64  | Handgrip Foam                      | 002049 | 2  |
| 65  | 3/8" × 2- 1/4" _Hex Head Bolt      | 000063 | 4  |
| 66  | 1/4" × 3/4" _Hex Head Bolt         | 030097 | 8  |
| 68  | 5/16" × 5/8" _Hex Head Bolt        | 030018 | 8  |
| 71  | 3/8" × 1-3/4" _Hex Head Bolt       | 002377 | 2  |
| 72  | 1/4" × 13 × 1T _Flat Washer        | 000078 | 16 |
| 73  | 1/4" × 19 × 1.5T _Flat Washer      | 022919 | 4  |
| 75  | Ø17 × 23.5 × 1T _Flat Washer       | 022975 | 1  |
| 76  | 5/16" × 18mm × 1.5T _Flat Washer   | 000077 | 7  |
| 77  | 3/8" × 19 × 1.5T _Flat Washer      | 000076 | 12 |
| 78  | 3/16" × 15mm × 1.5T _Flat Washer   | 002285 | 3  |
| 79  | Ø8 × Ø18 × 3T _Knurled Lock Washer | 030043 | 4  |
| 80  | Ø1/4" _Split Washer                | 030042 | 7  |
| 82  | 5/16" × 1.5T _Split Washer         | 030041 | 8  |
| 83  | 5/16" × 19 × 1.5T _Curved Washer   | 000087 | 2  |
| 84  | 3/8" × 25mm × 2T _Flat Washer      | 010098 | 4  |
| 85  | Ø17 _C Ring                        | 000196 | 1  |
| 86  | Ø20 _C Ring                        | 002050 | 2  |
| 87  | M8 × 170m/m _J Bolt                | 002083 | 1  |
| 88  | M8 × 7T _Nyloc Nut                 | 022288 | 5  |
| 89  | 3/8" × 7T _Nyloc Nut               | 000080 | 4  |
| 90  | 1/4" × 8T _Nyloc Nut               | 030098 | 4  |
| 91  | 5/16" × 6T _Nyloc Nut              | 030039 | 3  |
| 93  | M6 × 38m/m _Socket Head Cap Bolt   | 002667 | 1  |
| 94  | 5/16" × 3/4" _Hex Head Bolt        | 020340 | 6  |
| 95  | M5 × 12m/m _Flat Head Socket Screw | 002641 | 10 |
| 97  | Ø3 × 20m/m _Tapping Screw          | 000839 | 4  |
| 98  | M6 × 15m/m _Phillips Head Screw    | 030038 | 11 |
| 99  | M5 × 12m/m _Phillips Head Screw    | 030037 | 18 |
| 101 | 5 × 16m/m _Tapping Screw           | 010110 | 12 |
| 102 | 5 × 19m/m _Tapping Screw           | 030057 | 2  |
| 103 | Ø3.5 × 16m/m _Sheet Metal Screw    | 022979 | 19 |
| 104 | Spring                             | 002700 | 1  |
| 105 | Ø4 × 16m/m _Sheet Metal Screw      | 000050 | 4  |

|     |   |        |   |
|-----|---|--------|---|
| 106 | 5/16" × 1- 3/4" _Button Head Socket Bolt        | 000086 | 2 |
| 108 | M10 × 1.25m/m _Nut                              | 002668 | 2 |
| 109 | 3/8" × 7T _Nut                                  | 010108 | 5 |
| 110 | 3/8" × 2" _Flat Head Socket Bolt                | 022885 | 2 |
| 111 | M5 × 10.Ø14 × 2T _Thumb Head Socket Screw       | 030034 | 8 |
| 112 | 12.14m/m _Wrench                                | 030036 | 1 |
| 114 | Phillips Head Screw Driver                      | 023091 | 1 |
| 116 | Pedal (L) 90% (Sole logo strap - no padding)    | 002777 | 1 |
| 117 | Pedal (R) 90% (Sole logo strap - no padding)    | 002778 | 1 |
| 124 | Rod End Sleeve                                  | 000199 | 1 |
| 125 | Seat Carriage Cover (on seat carriage assembly) | 002755 | 1 |
| 126 | HGP Wire Grommet                                | 002060 | 1 |
| 128 | Seat Carriage Cover (on seat back)              | 002756 | 1 |
| 129 | M6 _Nyloc Nut                                   | 002126 | 1 |
| 132 | 14.15m/m _Wrench                                | 030023 | 1 |
| 135 | Aluminum Axle End Cap                           | 002757 | 2 |
| 136 | M5 × 15m/m _Phillips Head Screw                 | 000913 | 4 |
| 139 | Controller Back Plate                           | 004222 | 2 |
| 141 | Handle Bar Cover                                | 002114 | 1 |
| 143 | Seat Track Fixing Plate                         | 008218 | 1 |
| 148 | Block   | 008220 | 1 |
| 153 | Console Holder Assembly                         | 004362 | 1 |
| 154 | 5/16" × 2-1/2" _Hex Head Bolt                   | 004311 | 1 |
| 157 | Ø5/16" × Ø25 × 3T _Nylon Washer                 | 006414 | 2 |
| 159 | On/Off Switch Cover                             | 002767 | 1 |
| 160 | 5/16" × 16 × 1.5T _Flat Washer                  | 010097 | 6 |
| 161 | M6 × 10L _Flat Phillips Head Screw              | 002231 | 4 |
| 162 | Ø7 × Ø15 × 1.5T _Flat Washer                    | 002233 | 4 |
| 163 | 5/8" × 13.2 × 8L _Sleeve                        | 002234 | 4 |
| 164 | M6 × 19L _Nut                                   | 002235 | 4 |
| 165 | M6 × 10L _Button Head Socket Bolt               | 002236 | 4 |
| 166 | PU Wheel  | 002211 | 4 |
| 167 | Seat Front/Aft Adjustment Lever (Red Rubber)    | 002759 | 1 |
| 168 | Lever Anchor                                    |        | 1 |
| 169 | M5 × 25m/m _Flat Head Socket Screw              | 002669 | 2 |
| 170 | Ø15 × 6 × 4T _Nylon Washer                      | 002670 | 1 |
| 171 | M5 × 45m/m _Socket Head Cap Bolt                | 002671 | 1 |
| 172 | Ø3/16" × 10 × 1T _Flat Washer                   | 021991 | 1 |
| 173 | M5 × 5T _Nyloc Nut                              | 007096 | 1 |
| 175 | 3/8" × 2- 3/4" _Hex Head Bolt                   | 002672 | 2 |
| 176 | 3/8" × 3/4" _Hex Head Bolt                      | 000060 | 6 |
| 177 | Rubber Foot Pad                                 | 022943 | 1 |
| 178 | Square End Cap                                  | 002758 | 1 |
| 179 | M8 × 15m/m _Button Head Socket Bolt             | 002673 | 4 |
| 185 | 3/8" x 4T Nut                                   | 002705 | 1 |
|     | Hardware Kit                                    | 002719 | 1 |

|                                   |        |   |
|-----------------------------------|--------|---|
| "MANUAL" Plastic Button           | 004408 | 1 |
| "HILL" Plastic Button             | 004409 | 1 |
| "FATBURN" Plastic Button          | 004410 | 1 |
| "CARDIO" Plastic Button           | 004411 | 1 |
| "STRENGTH" Plastic Button         | 004412 | 1 |
| "INTERVAL" Plastic Button         | 004413 | 1 |
| "CUSTOM" Plastic Button           | 004436 | 1 |
| "FIT-TEST" Plastic Button         | 004437 | 1 |
| "HR 1" Plastic Button             | 004416 | 1 |
| "HR 2" Plastic Button             | 004417 | 1 |
| "ENTER" Plastic Button            | 002721 | 1 |
| "UP" Plastic Button               | 002722 | 1 |
| "START" Plastic Button            | 002723 | 1 |
| "DOWN" Plastic Button             | 002724 | 1 |
| "STOP/RESET" Plastic Button       | 002725 | 1 |
| "DISPLAY" Plastic Button          | 004424 | 1 |
| "FAN" Plastic Button              | 004425 | 1 |
| "SOLE" Sticker on back of console | 000881 | 1 |