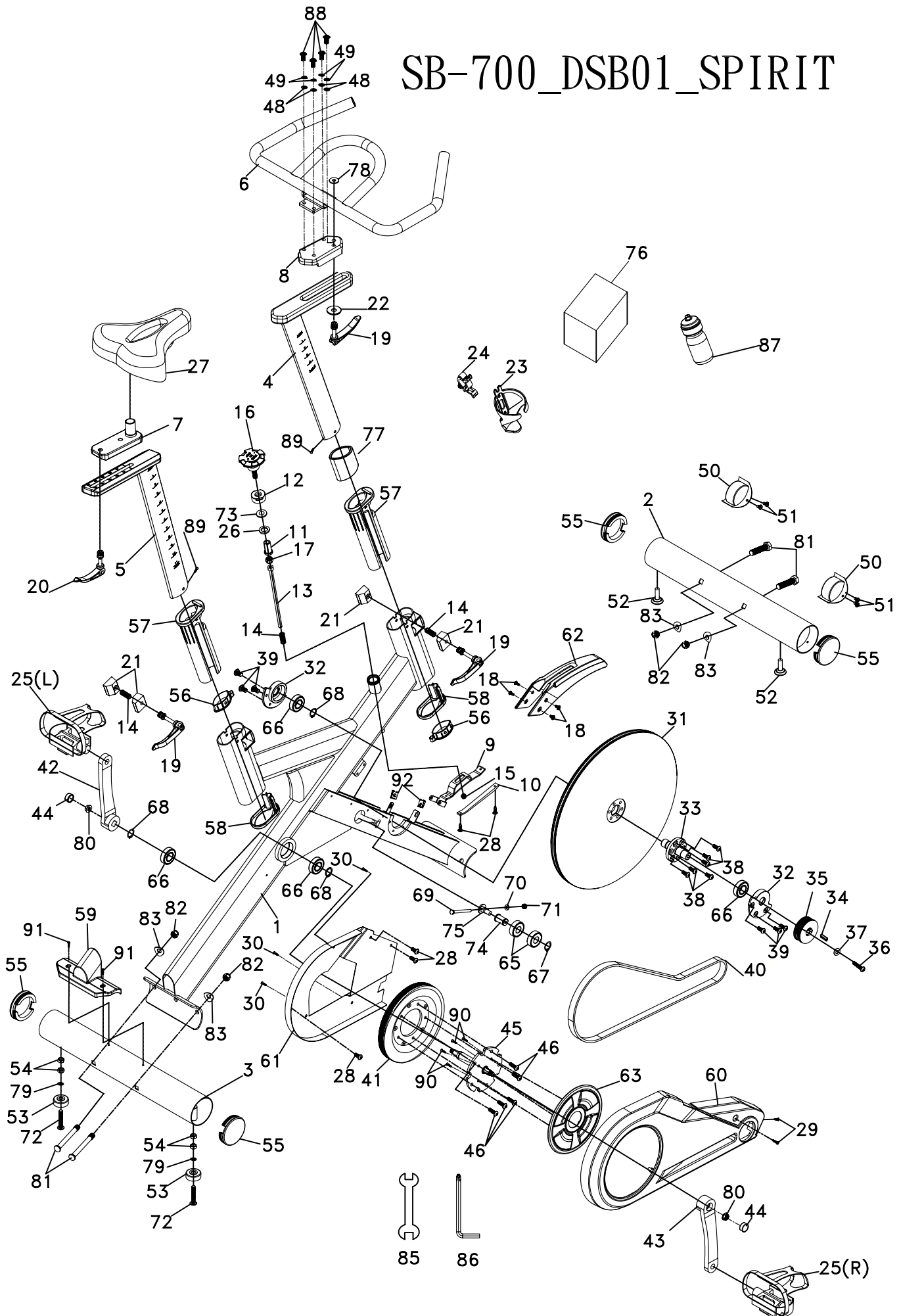


# SB-700\_DSB01\_SPIRIT



980818AM1020

## Sole - SB700 (570110) Parts List

Dyaco #	Description	Spirit #	Qty
2	Front Stabilizer	002675	1
3	Rear Stabilizer	002676	1
4	Handlebar Post	002329	1
5	Seat Post	002330	1
6	Handlebar	002677	1
7	Sliding Seat Mount	002332	1
8	Sliding Handlebar Mount	002814	1
9	Brake Pad Bracket	002334	1
10	Brake Pad - Wool Felt	002678	1
11	Bushing	002336	1
12	34.5 x 15L - M30 x P1.25 Nut	002337	1
14	Spring	002339	2
16	Brake Tension Knob	002340	1
18	M6 x 15mm_Phillips Head Screw	030038	4
19	8 x 40m/m_Quick Release lever	002341	2
20	8 x 25m/m_Quick Release Lever	002343	2
21	Aluminum Locking V-Blocks	002360	4
22	5/16" x 35 x 3.0T_Flat Washer	002344	1
25L	Pedal (L)	002679	1
25R	Pedal (R)	002815	1
26	Anti-Rotation Washer	002345	1
27	Seat	001239	1
29	5 x 16m/m_Tapping Screw	008169	2
30	3.5 x 12m/m_Sheet Metal Screw	010113	3
31	Flywheel	002347	1
31~1	~10 Earth Magnet for flywheel	002373	1
32	Bearing Housing	002348	2
33	Flywheel Axle	002349	1
34	Woodruff Key	002350	1
35	Flywheel Pulley	002351	1
36	5/16" x 3/4" Button Head Socket Bolt	022523	1
37	5/16" x 20 x 3.0T_Flat Washer	002352	1
38	5/16" x 3/4" Button Head Socket Bolt	022523	6
39	M6 x 10L_Phillips Head Screw	002232	6
40	Belt	002275	1
41	Drive Pulley	002276	1
42	Crank Arm (L)	002367	1
43	Crank Arm (R)	002361	1
44	Crank Arm Dust Cap	002019	2
45	Crank Axle	002353	1
46	5/16" x 1/2" Button Head Socket Bolt	003078	5
48	5/16" x 16 x 1T_Flat Washer	002291	4
49	5/16" x 1.5T_Split Washer	020032	4

50	Transportation Wheel	002272	2
53	Rubber Foot (Leveler)	022943	4
54	3/8" Nut	002273	4
55	Stabilizer End Cap	001180	4
56	End Cap, Eye Tube (30 x 60)	002280	2
57	Plastic Slide Insert, Eye Tube	002281	2
58	Bottom End Cap, Eye Tube (40 x 80)	002282	2
59	Rear Stabilizer Cover	002680	1
60	Chain Cover (Outer)	002681	1
61	Chain Cover (Inner)	002682	1
62	Flywheel Fender	002683	1
63	Pulley Cover	002684	1
64	6004_Bearing (NSK)	002685	2
65	6203_Bearing	021987	2
66	6004_Bearing (TMT)	002042	2
67	Ø17_C Ring	000196	1
68	Ø20_C Ring	002050	3
69	1/4" x 3" Hex Head Bolt	002356	1
70	1/4" x 13 x 1.0 Flat Washer	000078	1
71	1/4" x 5.5T_Nyloc Nut	030098	1
72	3/8" x 2" Flat Head Socket Bolt	023090	2
73	25.5 x Ø16 Star Washer	002357	1
74	Idler Axle (20 x 16.9 x 29L)	002358	1
75	Idler Adjustment Carriage Bolt (24 x 10 x 30L)	002358	1
76	Console Assembly	002686	1
77	Foam Stop, Handlebar Eye Tube	001179	1
78	Ø5/16" x 23 x 2.0T Flat Washer	022908	1
79	3/8" x 19 x 1.5T Flat Washer	000076	2
80	M10 x P1.25 Nut	002052	2
81	3/8" x 3-1/2" Carriage Bolt	002297	4
82	3/8" x 12.5T Cap Nut (Black)	002817	4
83	3/8" x 23 x 1.5T Curved Washer	030081	4
84	M5 x 12mm Tapping Screw	030037	2
85	14/15m/m Wrench	030023	1
86	M5 Combination M5 Allen Wrench & Phillips Head Screw Driver	000089	1
87	Drink Bottle	000844	1
88	5/16" x 5/8" Button Head Socket Bolt	022707	4
89	M5 x 10m/m Socket Head Cap Screw	002324	2
90	Ø5 x 10m/m Tapping Screw	002325	4
91	M5 x 10m/m Phillips Head Screw	002640	2
92	M5 Speed Nut Clip	010109	2
93	M5 x 10m/m Tapping Screw	002325	9
94	Spring	002693	1
95	Fixing Pin	002694	1
96	Safety Sleeve	002695	1

<b>97</b>	5/16" × 1" Button Head Socket Bolt	002687	1
<b>98</b>	Sleeve Bushing	002688	1
<b>99</b>	3/8" × 3/4" Button Head Socket Bolt	002689	2
<b>100</b>	3/8" × 21 × 2T Flat Washer	002690	2
<b>107</b>	8 x 12 x 1.0T Flat Washer	002691	1
	Hardware Kit	002692	1
	"SOLE" Logo Sticker (on back of console)	000881	1
	"SOLE SB7700" Logo Sticker	002816	1